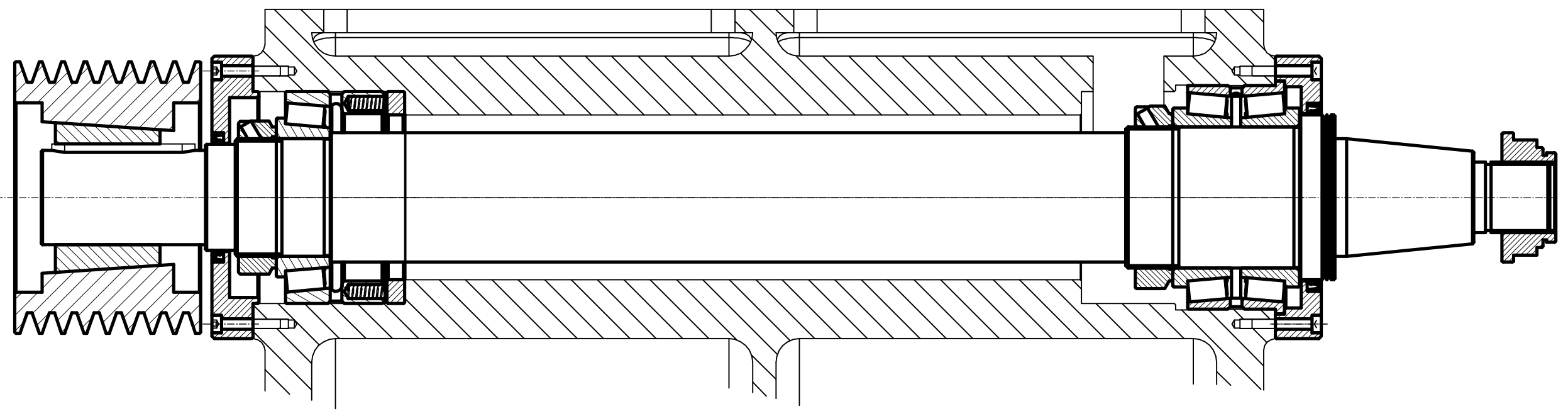


DO NOT SCALE : IF IN DOUBT ASK



ALL UNSPECIFIED CHAMFERED 1:3 45° REMOVE ALL SHARP EDGES		
REVISION	REVISION	REVISION
REVISION	REVISION	REVISION
REVISION	REVISION	REVISION

GEOMETRIC SYMBOLS	
—	SYMMETRY
□	FLANGES
○	CONCENTRICITY
⊕	PERPENDICULARITY
⊖	ANGULARITY
⊗	PARALLELISM
⊙	POSITION
⊚	CIRCULARITY
⊛	CIRCULARITY
⊜	LINE PROFILE
⊝	CONTOUR
⊞	SURFACE PROFILE
⊟	ANGULAR RUN-OUT
⊠	TOTAL RUN-OUT

<table border="1"> <tr> <th>SYMBOL</th> <th>METHOD</th> <th>QUALITY</th> <th>SPECIAL</th> </tr> <tr> <td>▽</td> <td>ROUGH</td> <td>ROUGH</td> <td>▽</td> </tr> <tr> <td>▽</td> <td>FINISH</td> <td>FINISH</td> <td>▽</td> </tr> <tr> <td>▽</td> <td>GRIND</td> <td>GRIND</td> <td>▽</td> </tr> </table>	SYMBOL	METHOD	QUALITY	SPECIAL	▽	ROUGH	ROUGH	▽	▽	FINISH	FINISH	▽	▽	GRIND	GRIND	▽	SCALE: MACHINE TYPE: SECTION: TITLE:	DRG. No. REV.
SYMBOL	METHOD	QUALITY	SPECIAL															
▽	ROUGH	ROUGH	▽															
▽	FINISH	FINISH	▽															
▽	GRIND	GRIND	▽															
TOLERANCES UNLESS OTHERWISE STATED DIMENSIONS ±0.25MM(0.010") ANGLES ±0°30'																		